

Owosso Speedway 2025 Mini Wedge Rules Rev 2

NOTE: OWOSSO SPEEDWAY DOES NOT EXPRESS OR IMPLY ANY WARRANTY OF SAFETY RESULTING FROM THE PUBLICATION OF, OR COMPLIANCE WITH THESE RULES AND/OR REGULATIONS. THESE RULES ARE INTENDED AS A GUIDE TO THE CONDUCT OF THIS SPORT. AND IS NOT IN ANY WAY A GUARANTEE AGAINST INJURY OR DEATH TO ANY PARTICIPANT, SPECTATOR, OR OFFICIAL.

THE ABSENCE OF A PARTICULAR RULE DOES NOT NECESSARILY MEAN IT'S APPROVED. ANY INFRACTIONS OF THE RULES MAY RESULT IN A PENALTY (FOR THAT EVENT) OR NOT BEING ABLE TO COMPETE ENTIRELY.

ALL IDENTIFIED RULE INFRACTIONS MUST BE RESOLVED PRIOR TO FOLLOWING.

OUR MISSION IS TO PROVIDE CHILDREN A SAFE AND COMPETITIVE SERIES TO TEACH THEM THE FUNDAMENTALS, SPORTSMANSHIP, AND COMPLETENESS NEEDED TO GROW INTO THE SPORT AS A YOUNG ADULT.

1) Car

- a) Wheelbase 45" – 49". The maximum width of the outside of the tire is 45". There are to be no roofs, sail panels. A maximum of a 3-inch spoiler will be allowed. The Spoiler side's maximum height will be 3 inches from the deck and 5 inches long.
- b) All karts must be constructed of steel tubing with a complete 6-point roll cage including adequate side protection. Cages must be a minimum of .065 x 1" steel tubing welded to the frame.
- c) The engine must be located behind the driver's seat. No part of the engine can be located beside the seat.
- d) Floor pan is required to be made of steel or a minimum of .040" aluminum, floor pan is to be securely bolted or riveted to the frame. The length of the floor pan must go from the center of the seat to the front of the frame going past the driver's pedals.
- e) All karts must have a full wedge Late Model appearing body. No open fenders will be allowed. There must be at least 4" of the body behind the rear wheels. There will be no covered or enclosed motors and motors will always remain completely visible. (See 'Body Drawings' for more information).
- f) Tires must be a Hoosier (15600 "11 inches tall" or 15500 "10-1/2 inch tall") No grooving or sipping of the tires. No treating or soaking of tires. Tires must durometer 50, any tire that durometer is 48 or less will be deemed has treated and will result in loss of points for the event along with forfeit of any prizes to be given out.
- g) Rim width cannot be any wider than 6-1/2" wide and must be at least 6" Tall.
- h) Axle must be Steel and a minimum wall thickness of 3/16"
 - i) Min Length of 38"
 - ii) Maximum length 40"
- i) Any piece or part considered suspension will not be allowed, this includes springs, shocks, rubbers, torsion bars, spring washers ETC. and any other type of device.
- j) Axle must be solid with no ratcheting/open rear hubs
- k) Rear deck height cannot exceed a maximum of 27.5" from the ground and a minimum of 22" high from the ground.

- l) Rear quarter panel cannot exceed a maximum of 24" and a minimum of 20".
 - m) Body must be constructed of .040" aluminum. Plastic may be used for nose, fenders, and trim. Kart must weigh no less than 335 lbs. with the driver after the race.
 - n) When tracks split the class by age, they must split it by 6-9 and 10-14 years old. The 10-14-year-old kids must weigh-in no less than 375 lbs. with the driver after the race. (MWA Tracks can choose to weigh in before or after the race. All lead must be securely bolted or clamped to the frame, not the body or floor pan.
 - o) We highly encourage the doors and quarter panels to be wider than the tires at the bottom of the doors and quarters to help prevent "Wheel Hop".
 - p) At least one vertical D door bar must be welded on each side of the driver running from the main rail to side crash bars for driver protection. See the rear side view drawing for more details.
 - q) Front and rear bumpers must be mounted at all times. Front and rear bumpers must have at least a 6" tall hoop.
 - r) Front and rear down tubes are mandatory for driver's protection.
 - s) All tubing on the main roll cage must be at least .065" wall tubing.
 - t) Driver's seat must be mounted in four locations with (4-Bolts) minimum.
 - u) Two door numbers must be present with a minimum of 12" tall.
 - v) Must have two throttle return springs at all times.
 - w) Kill switch must be present and visible to and accessible by officials. Suggested mounting spots are on the cage or deck.
 - x) Any weight mounted on the kart must be painted white with the driver's name and number on the weight. Weight must be mounted by at least a ½" bolt. Any weight lost during an event will result of a two-week suspension.
 - y) 5-Point harness system is mandatory. All harnesses must have an SFI Rated patch.
 - z) All karts must have two triangle-type side window nets attached to the roll bar one on each side of the driver. If you run the Full Containment seat you are not required to run a window net but are still Highly Recommended.
- 2) Engine
- a) Engine: MWA 6.5 HP (212cc) OHV Predator Engine that's sealed with the MWA marks and serial number will be allowed. 6.5 HP (212cc) OHV Predator Engine stock (par# 69730 or 60363). Ghost engine is not allowed.
 - i) Engine must remain stock, no mixing or swapping of engine parts from a (Non-Hemi) to a (Hemi) or (Hemi) to (Non Hemi) aftermarket engine parts internal or external are not allowed.
 - ii) The definition of aftermarket: Any part or parts found to be mixed, swapped, fabricated, machined, or purchased etc. with the intent to enhance or increase

- performance that exceeds factory tolerances or ratings for the type of engine allowed for the Mini Wedge class.
- b) Fuel: Regular gasoline only, NO Alcohol, No E85. Fuel can be checked anytime with a Digatron FT64 or DT64 fuel tester.
 - c) Muffler: a stock unaltered box style muffler.
 - i) Any type of stepping, tapering, grinding to alter muffler internally or externally in any area of the muffler is not allowed.
 - ii) One screen must be present in its stock installed position of the muffler exhaust exit location.
 - iii) Must have 1 gasket that is all 1 piece that tightly seals the muffler pipe to the cylinder head.
 - iv) Any small reliefs in muffler, commonly the bottom side of the muffler, cannot be bent open, cut larger, or tampered with in any way to reduce exhaust restrictions must be stock must retain the same opening as a stock muffler.
 - v) The cover can be altered to fit the chain guard if needed.
 - vi) **Muffler note for 2026 season:** For the 2026 season the Senior Mini Wedge class “only “will be allowed a single stage one piece steel header, max O.D. .750” with an RLV mini B91 silencer must thread onto the header, max length measuring end to end on the outside of the round including the bend will be 12” no longer.
 - d) Spark plug: any spark plug is allowed.
 - i) Cylinder head cannot be cut to increase spark plug depth into cylinder head and increasing compression. **(Be careful cutting the spark plug base it might get checked!!)**
 - e) Low oil sensor: You are allowed to disconnect the low oil sensor; the hole can be tapped and plugged.
 - f) Governor: Can be disconnected or removed.
 - g) Ignition Key: Stock Ignition Key Only! No offset ignition keys!
 - i) No exceptions stock non offset ignition key only!
 - h) RPM can be checked on any engine at any time
 - i) Any engine RPM checked that is far outside the RPM’s of its competitors being checked will receive a disqualification.
 - i) Engine Parts: NO Aftermarket Engine Parts, internal or external, not limited to: Cam, Flywheel, Rods, Pistons, ETC. (Must Be Stock)
 - i) The definition of aftermarket for these rules is as follows: Any part or parts found to be mixed, swapped, fabricated, machined, or purchased, etc. with the intent to enhance or increase performance that exceeds factory tolerances or ratings for the type of engines allowed for the Mini Wedge class.
 - j) Valve Springs: 10.8 pound Valve Springs Only – Max Wire Diameter of .071

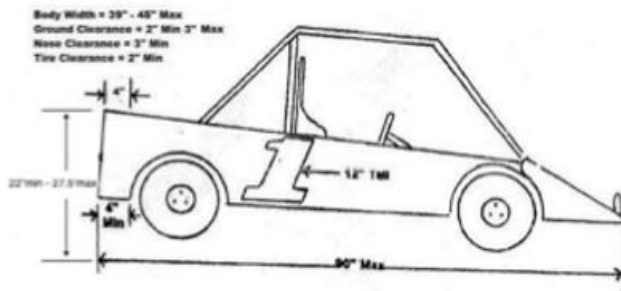
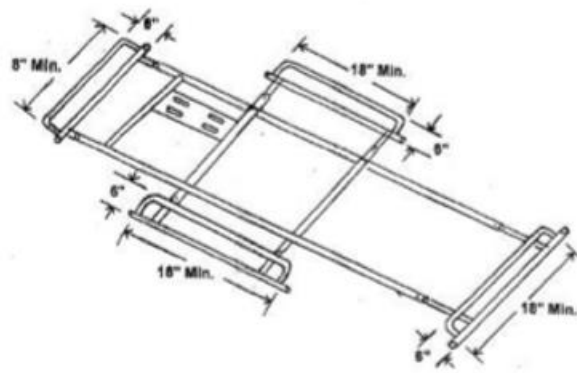
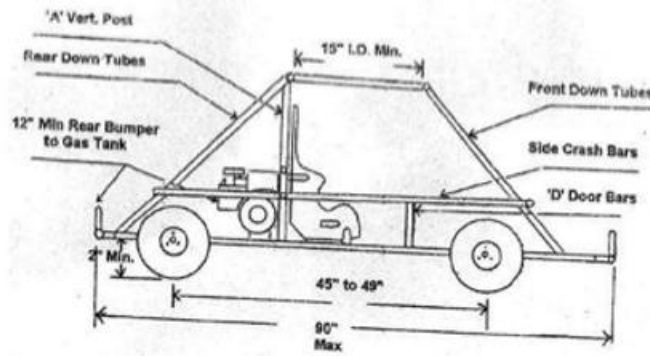
- i) AKRA legal 10.8 pound springs
- ii) Springs must pass on Jones checking tool for 10.8 pound valve springs.
- k) Air Filter: Aftermarket Air Filter Adapter Allowed.
 - i) Max length of adapter is 1.375
 - ii) Any Mini Wedge that is running without an air filter or loses an air filter during competition will receive an automatic disqualification.
 - iii) Air filter is mandatory before, during, and after competition until you are asked to remove air filter by tech personnel.
- l) Carburetor: NO RACING carburetors.
 - i) Carburetors must remain stock unaltered .615 bore with no alterations.
 - ii) No air bleed adjusters
 - iii) .751 max bore size back side of carburetor.
 - iv) Main jet max is .031
 - v) Carburetor must be tight with no air gaps or space at mating surfaces.
 - vi) Gaskets allowed 1 per mating surface, must be all one piece, no cutting or trimming of gaskets.
 - vii) Pulling air into an engine through a cut gasket, machined area, something left loose, spaced or shimmed is not allowed.
- m) Spacers / Restrictors: 1 carburetor spacer / restrictor only, no homemade or aftermarket carb spacers or restrictors.
 - i) Stock / factory black plastic insulator must be present and unaltered
 - ii) All mating surfaces must be clean and fit tight with no gaps to pull in extra air.
 - iii) Junior Mini Wedge engines must use an unaltered green carburetor restrictor plate, max bore .425.
 - iv) In the event engine rules violations continuously occur Owosso Speedway will make it mandatory that a restrictor plate (Size TBD) will be mandated for the class, the restrictor plate will be Owosso Speedway property, the restrictor plate will be available at the track and must be returned at the end of the race night.
- n) Fuel pump and bracket: A single pulse type fuel pump is allowed.
 - i) Only 1 pulse line allowed max size for fittings and line is ¼"
 - ii) Top plate is allowed for throttle linkage and fuel pump placement.
- o) Clutch: The following 3 clutches are allowed: Noram Magnum Premier Clutch or MAX-Torque clutch, 12, 13, or 14 tooth Clutches are the allowed clutches
- p) Owosso Speedway has bar code cable seals to seal engines once they are deemed legal. Please contact No Limit Cart & Parts for instruction on bolt heads and engine part that need drilled to install seal, (Owosso Speedway will eventually have picture on web site).

3) Race Rules

- a) All drivers must be accompanied by a parent or legal guardian. Unless you are appointed his / her legal guardian, by law, you cannot sign a release form for them. Therefore, they cannot race. Any exception to this rule cannot be made by a track official and must be brought before the track's management or track's insurance carrier for a decision.
 - b) All cars will be lined up according to qualifying times taken from the practice sessions. Race distance will be determined by officials on race day. Drivers will be held to a .3 second break out time over any 2 laps. If a driver breaks out in the heat they will be moved to the rear of the feature line up. If they break out in their feature they will be black flagged and sent off the track.
 - c) Arguing about scoring or judgment calls will not be tolerated. Confrontations/arguments with MWA Officials, track officials, or another parent can result in a minimal suspension of 2-weeks from all MWA sanctioned tracks.
 - d) If any crew member from your team decides to come onto the racing surface at any time without being asked to by a race official, then the driver will automatically be parked for the remainder of the racing event. This includes and is not limited to arguing with any of the staff. We understand that the sport is our love, but we will not tolerate this. We work hard to make all calls same and equal, please if upset walk away for a moment and calmly talk with an official at the end of the event.
 - e) The scoring area is off-limits to drivers and anyone who is not a track staff member.
 - f) Any parent, driver, or member of any team involved in any type of confrontation with anyone at the track will result in a suspension of driver and parent or legal guardian for at least two weeks from all MWA events.
 - g) The age limit is 5-14 years of age. You must provide a copy of your birth certificate before your membership can be provided.
 - h) There will be NO WARNINGS given out for bad behavior such as; No throwing a fit on the racetrack or pit area NO disrespect toward track officials, MWA officials, scorers, flagman, or track owner. No going to another pit to argue this includes driver, crew, and anyone with a Mini Wedge.
 - i) Transponder scoring will be used. Will need to be mounted to bottom of steering shaft.
- 4) Driver Personal Safety
- a) All drivers must wear an approved SFI – 1 certified or SFI13 – 2A/1 Fire Suit. SFI certification patch shall be required on fire suit.
 - b) A Full-Face helmet will be mandatory at all tracks and all MWA events.
 - c) All drivers must wear a neck brace.
 - d) All drivers must wear arm restraints.
 - e) All drivers must wear closed-toe shoe.

- f) Fireproof gloves are mandatory at all MWA events.
- g) Currently Owosso Speedway allows 1 crew members and the driver in the pit area for each Mini Wedge. No More than 1 at any time. With new construction in progress on the Owosso Speedway property this rule is subject to change per Owosso Speedway safety management if safety concerns arise.

5) Body Drawings and Specs



- a)
- 6) Race Procedure
 - a) Cautions will be thrown when a driver spins out and is stopped on the track.
 - b) Caution will be thrown when a driver drives off the track and is stuck.
 - c) The caution car (judgment call) will be put to the tail.

- d) Two cautions and the driver will be black flagged for that event.
 - e) The black flag will be thrown when a driver is driving rough; this is a judgment call and cannot be argued.
 - f) In the event a chain comes off you will be allowed to reinstall your chain 1 time, track officials will give permission when race surface is safe for chain to be installed, a chain off situation will be counted as a caution against you and you will be placed to the rear. Regardless if there is any other caution situation on the track you will be charged with.
 - g) The class will be split into two classes. 5 – 9 Year old and 10 – 14 Year old
 - h) Race transponders will be mandatory, they will be available for rent at the Speedway at the cost of the team.
 - i) Raceceivers will be mandatory.
 - j) Feature redraw will be set by track.
 - k) Top 3 will receive a trophy at the end of the night in each class.
 - l) Top 3 **must** report to the tech area.
- 7) Conduct or Behavior Zero Tolerance
- a) Owosso Speedway officials have a zero-tolerance policy for unnecessary events that take place anywhere on Owosso Speedway property, on track or in the pits, such as but not limited to:
 - i) Arguments.
 - ii) Unnecessary behavior of any kind.
 - iii) Intentional / Aggressive contact between cars on track, during a caution will not be tolerated, the driver or driver's intentionally making contact with another race car under caution will receive the black flag, you will not be scored & sent to their pits.
 - iv) Vulgar language.
 - v) Threatening other racers, teams, help or family.
 - vi) Going to another race teams pit to argue.
 - vii) Unnecessary speed in pits with your race car.
 - viii) Bumping others race cars with your race car in pits expressing your anger.
 - b) Unnecessary actions toward Owosso Speedway officials, about tech decisions or on track decisions.
 - c) If argument or unnecessary actions continue, fines, penalties or discipline is once again, to the discretion of Owosso speedway officials.

Email tech questions to: tech@owossospeedway.com or neil.may@owossospeedway.com

Owosso Speedway Reserves the right to Revise Rules for Issues Not Foreseen with This Rule Package.

***Owosso Speedway Reserves the right to retain a 3RD Party inspector or company to examine any part of the race car or part in question.**

ABSENCE OF A PARTICULAR RULE DOES NOT ALLOW YOU TO ASSUME IT'S APPROVED

